

12290

LIST OF MATERIALS

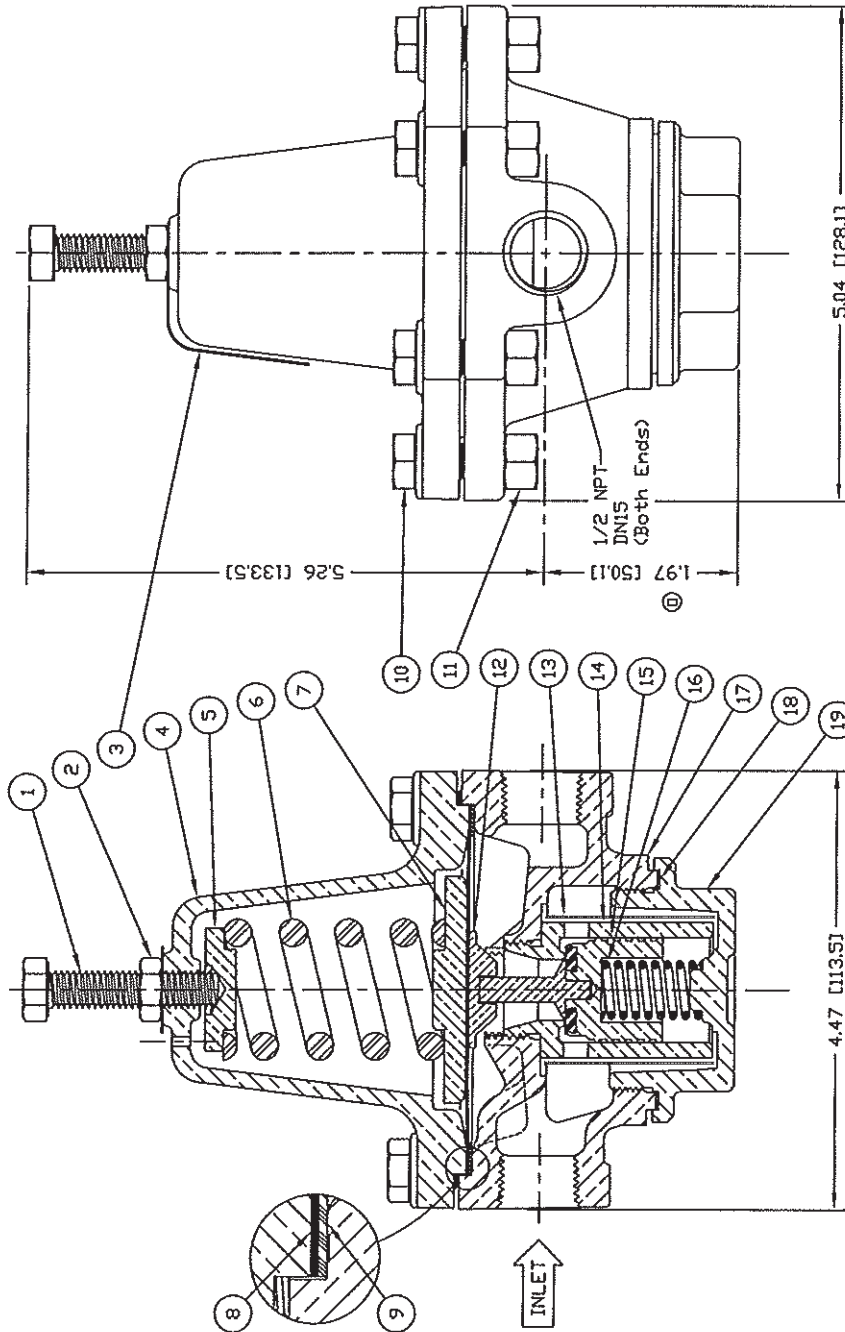
ITEM	QTY	PART NO.	DESCRIPTION	MATERIAL
①	1	07640	Adjusting Screw	SST
②	1	19570	Lock Nut	SST
③	1	08353	Name Plate	Aluminum
④	1	08127	Spring Chamber	Brass
⑤	1	12291	Spring Button	Brass
⑥	1		Pressure Spring	SST
⑦	1	08586	Pressure Plate	Brass
⑧	5	01580	Diaphragm	Brass
⑨	1	12311	Gasket	Teflon
⑩	6	06190	Screw	SST
⑪	6	15689	Nut	SST
⑫	1	12292	Pusher Post Button	Brass
⑬	1	20112	Screen	Monel
⑭	1	12293	Cylinder	Brass
⑮	1	12294	Piston Sub	
⑯	1	18823	Pusher Post	Brass
⑰	1	07794	Seat Disc	Teflon
⑱	1	02347	Piston	Brass
⑲	1	00124	Piston Spring	SST
⑳	1	12295	Body	Brass
㉑	1	03109	Gasket	Teflon
㉒	1	07983	Bottom Plug	Brass

①
②

⑫
⑬

⑯

⑲



NOTES:

1. DIMENSIONS ARE APPROXIMATE.
2. SEE ED2801 FOR MARKING INSTRUCTIONS.
3. CLEAN FOR OXYGEN SERVICE.
4. SEE ED2026 FOR ASSEMBLY AND TEST INSTRUCTIONS.



REV.	DATE	REVISION HISTORY
K	02-07-99	18823 WAS 12311
L	02-08-96	18570 WAS 07640, SST WAS BRONZE
M	09-14-98	20112 WAS 12294
N	01-06-99	SCREEN MATERIAL "MONEL" WAS "MONEL DE SST"
O	08-30-01	REMOVED 07982, 01948, 08126, & 01946 FROM LON AND DIN, 1.97 WAS 2.21

EX1621-12 REFERENCE
 PRESSURE BUILDING VALVE
 W/ 0.625 Dia. Drifrice)
 CRYOGENIC
 CASH VALVE
 2400 7TH AVE. SW, GALLAHU, ALABAMA 36025

NO. OF SHEETS	OF	DCW	DATE	APP.	REV.	DATE
1	1		01-30-91		1/2	
						B
						12290